

# SPACE/N

Automation for sectional and counterweight spring doors  
up to 16m<sup>2</sup>



For residential and  
collective usage



24V Motor with Encoder  
Technology



**#strongasyoulike!**  
Version with 1200N oversized  
garmotor available  
(art. SPACE N/XXL)



# SPACE/N

Track available in two sizes:

- 3.200 mm (art. AB16)
- 4.000 mm (art. AB20)

It is packaged in two pieces and is easy to transport and assemble.

The belt is reinforced with internal iron filaments to ensure silence and durability over time.

Available in 4 different versions: 600N, 800N, 1200N and 1200N for higher frequency use.



**NET724EVO**, the new control board:

- **EASY** and **PRO** navigation menus
- improved management of the stroke
- force tracking with **EVO TRACK** technology

Two-channel encoder technology that ensures maximum precision and safety during opening and closing



This operator is compatible with the NETLINK System.



<b>SPACE/N</b>	Opening speed cm/s	<b>17"</b>
<b>SPACE/N/L BOOST</b>		<b>24"</b>

Note: the opening time may increase depending on the characteristics of the installation



Integrated LED courtesy light.



Easy access door.





Scan the QR CODE to view all the content we have created on this operator



## Models

### 24V = operators with control board and encoder

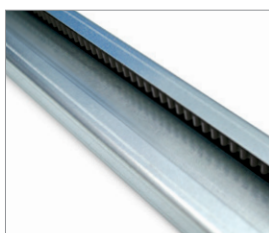


COD.	Art.	Zet 1000 1000 1000	⏏	⚙️	DEA	OTHER CHARACTERISTICS
636130	SPACE/N	✓	600N	⚙️	NET724 EVO	<ul style="list-style-type: none"> <li>• Operator with 2 channels encoder</li> <li>• Integrated control board with receiver</li> <li>• for up to 200 remote controls</li> <li>• Without track</li> <li>• Quick connection between the operator and the track</li> <li>• Continuous adjustment of the stroke and forces</li> </ul>
636131	SPACE/N/L BOOST	✓	800N	⚙️		
636132	SPACE/N/XL	✓	1200N	⚙️		
636133	SPACE/N/XXL*	✓	1200N	⚙️⚙️		

For all models: NET724 EVO control panel and 1 transmitter art. GTI4 included. Track not included.

\* SPACE/N/XXL: art. AB/FM included

### Steel track with belt:

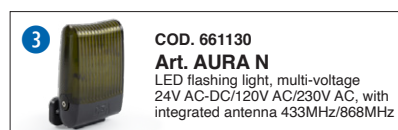
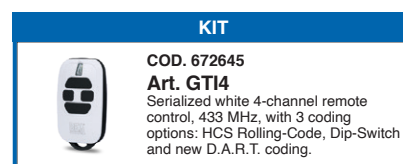
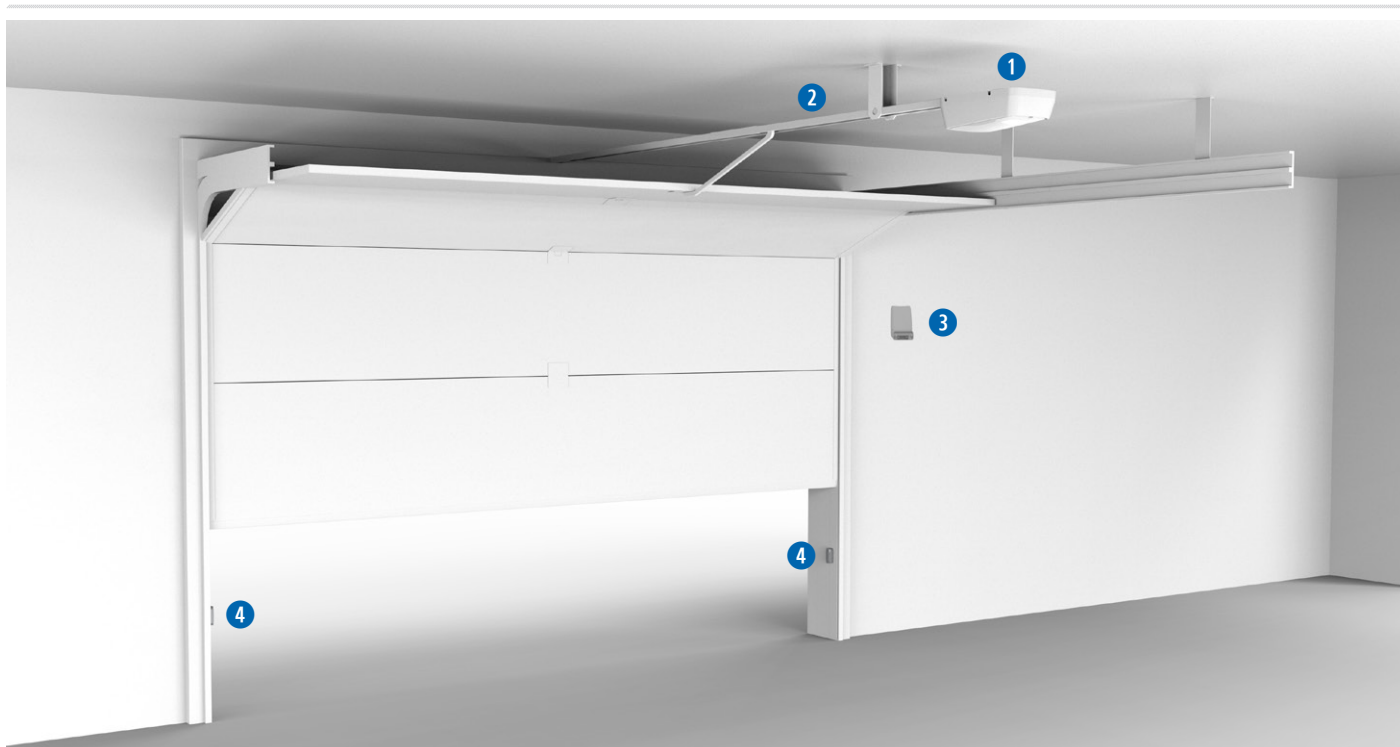


COD.	Art.	CHARACTERISTICS
636090	AB16	Steel track with belt, 2 pcs, 1.600+1.600 mm SPACE N series: useful stroke 2.668 mm
636093	AB20*	Iron track with belt, 2 pcs, 2.000 x 2.000 mm SPACE N series: useful stroke 3.468 mm

\*Recommended: to use with art. AB/BRACKET cod. 639381

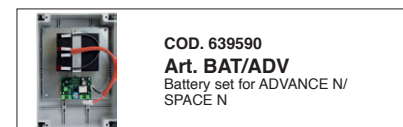
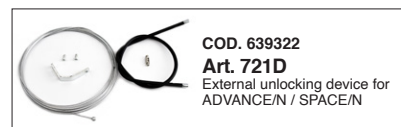
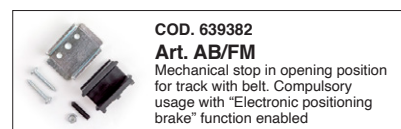
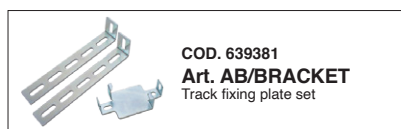
TECHNICAL INFO	SPACE/N	SPACE/N/L BOOST	SPACE/N/XL	SPACE/N/XXL
Power supply voltage	230 - 240V ~ ±10% (50/60Hz)			
Motor power supply (V)	24V =			
Rated power transformer	80VA (230/25V)	150VA (230/25V)		
Fuse F1	T2A 250V (delayed)			
Maximum power absorption (W)	100	180	220	230
Max thrust (N)	600	800	1200	1200
Duty cycle (cycles/hours)	20	25	25	35
N. max cycles in 24h.	60	75	75	350
Operating temperature (°C)	(-20°) - (50°)			
Speed (cm/s)	17	24	19	13
Weight with packing (Kg)	5		6	
Sound pressure (dBA)	< 70			
Protection rating	IP20			

## Example of a typical installation



**KIT** for further details on the kits see price list

## SPECIFIC ACCESSORIES









# KIT PARKING SPACE N/XXL

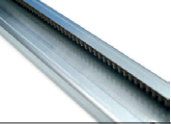

Automation KIT of sectional doors for underground parking with traffic light regulation



art. 636351

	+		+		+	
<b>SPACE N/XXL*</b>		<b>STEELBOX</b>		<b>NET724 EVO/PROBOX</b>		<b>NET-EXPANSION</b>

\* Track NOT included.

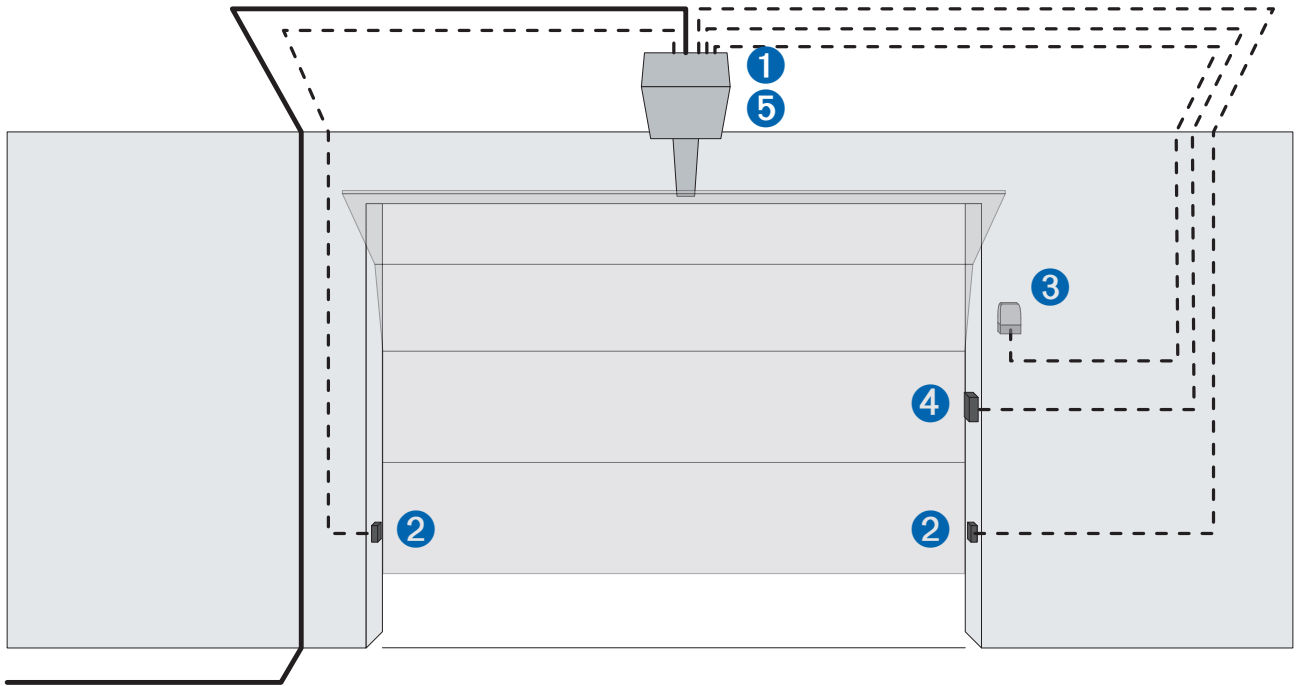
## SPECIFIC ACCESSORIES

	<p><b>COD. 636090</b> <b>Art. AB16</b> Iron track with belt, 2 pcs., 1600 + 1600 mm</p>
	<p><b>COD. 667071</b> <b>Art. LOOP 230/2</b> Loop detector, 2 channels</p>

	<p><b>COD. 681034</b> <b>Art. SMFLED230/2</b> 230V led traffic light: red-green lights</p>
	<p><b>COD. 639381</b> <b>Art. AB/BRACKET</b> Track fixing plate set</p>

	<p><b>COD. 681035</b> <b>Art. SMFLED24/2</b> 24V led traffic light: red-green lights</p>
	<p><b>COD. 639301</b> <b>Art. AB/EXTENSION</b> 1600mm extension for steel track art. AB16 complete with joint and 9450 mm full belt</p>

## Wiring



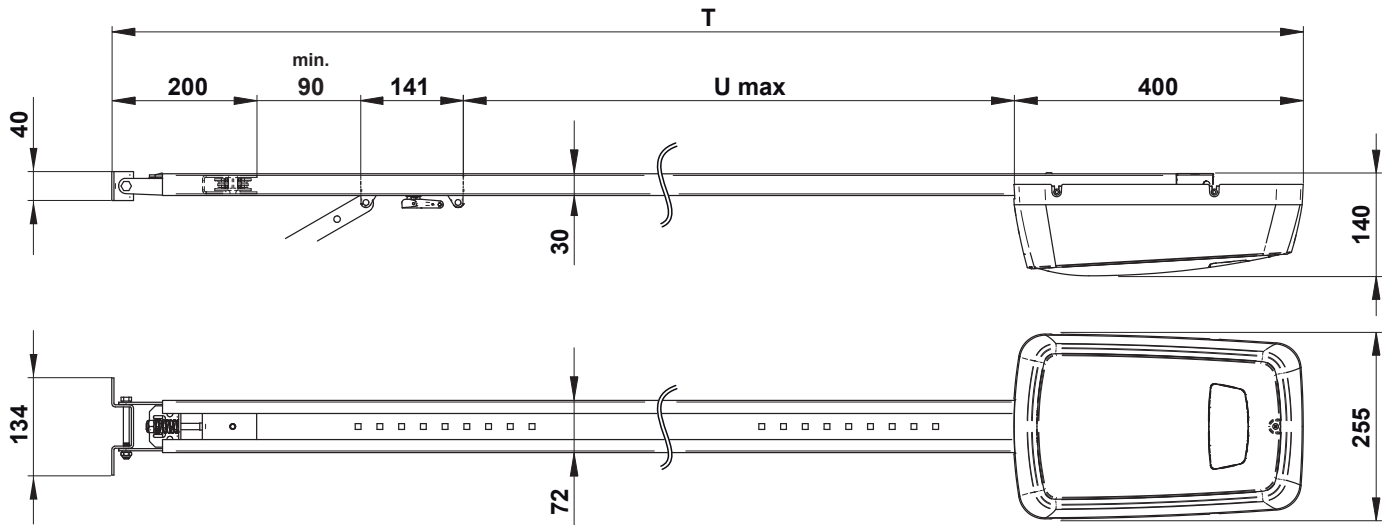
— Corrugated pipe for power supply cable

- - - Ø20 corrugated pipe or external PVC conduit for connection between the command, safety accessories and the control board.

pos.	description
1	Operator
2	Photocells
3	Flashing light
4	Keypad / Digicode
5	Control board

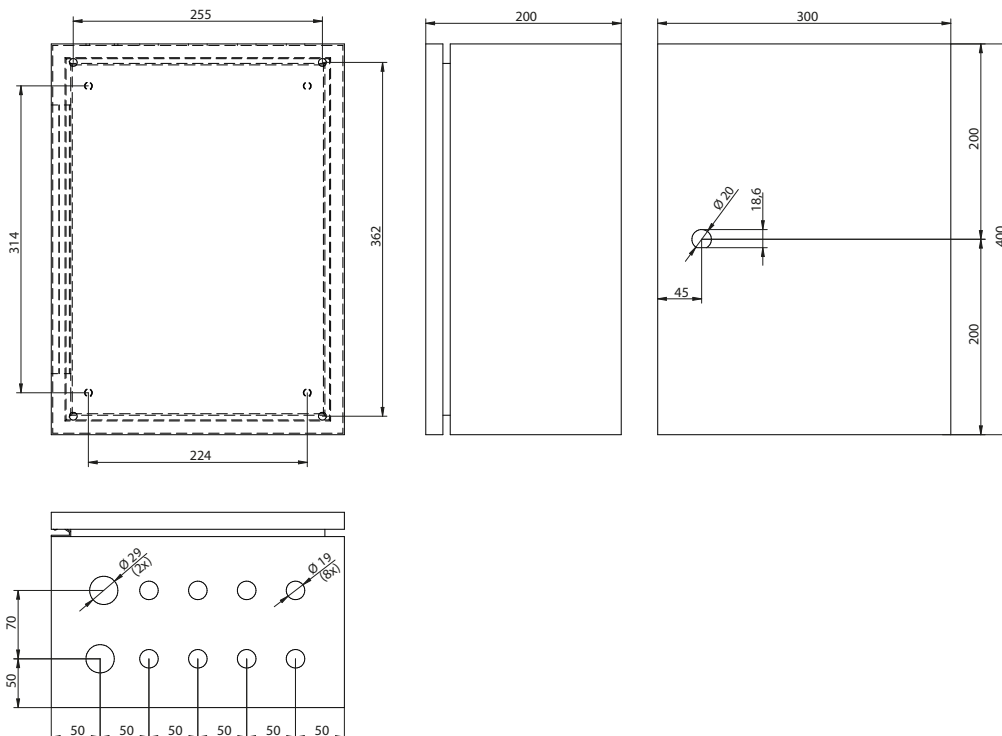
## Dimensions

### SPACE/N + AB16 / SPACE/N + AB20



Cod.	U max	T
AB16	2668	3445
AB20	3468	4245

### STEELBOX (for PARKING KIT)



# DEAuser



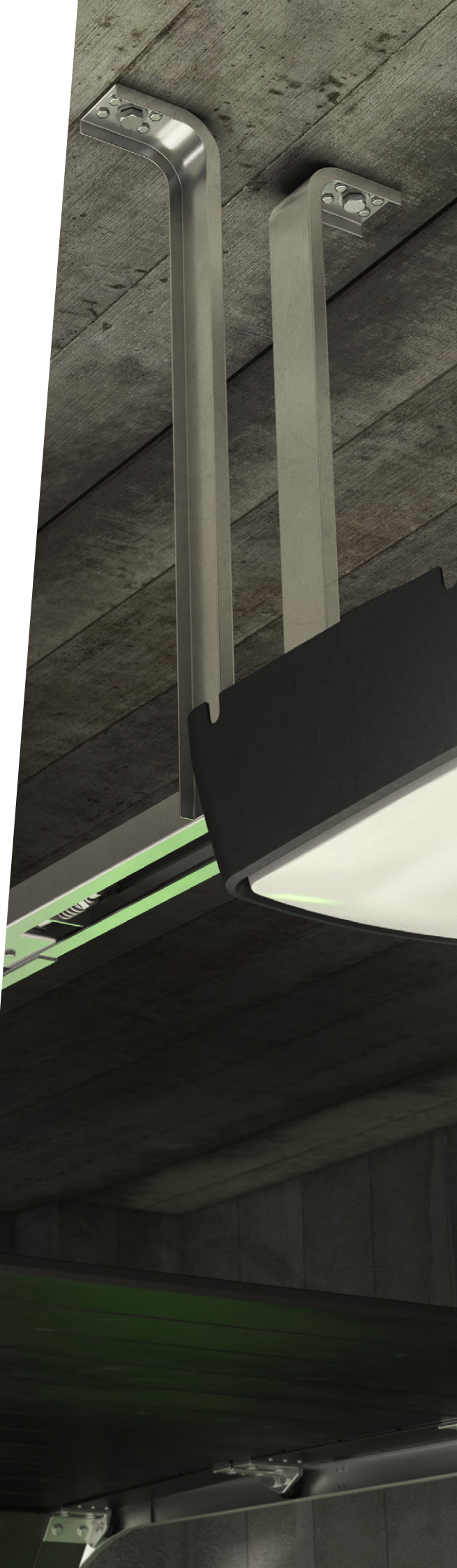
DEAuser is the app that allows **private users** to activate the automation at **close proximity** via Bluetooth.

You can control your gate or door through your smartphone by installing NET-NODE on all devices with NETLINK technology.

To be used with:



Art.NET-NODE 2.0  
Cod.677642





# DEAinstaller



DEAinstaller is the App dedicated to the **professional installer** and allows installers to program and manage DEA automations on-site in a simple and intuitive way from their smart devices.

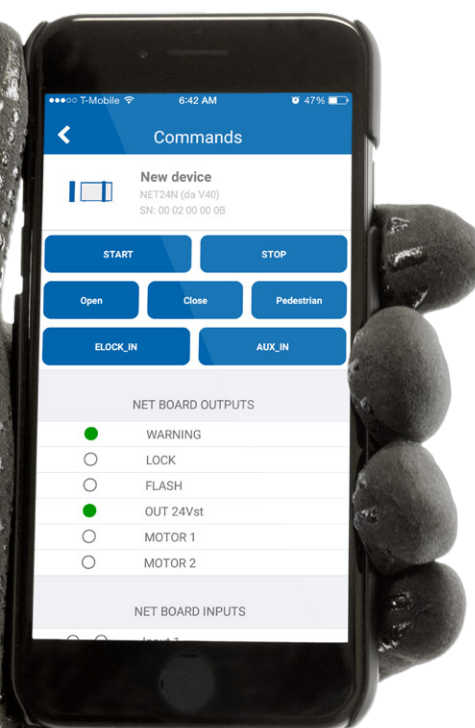
If you use it with the NET-NODE you can:

- ✓ keep a **data backup** of all your installations
- ✓ easily adjust the **parameters** of your control boards
- ✓ update the **firmware**
- ✓ program the **maintenance**
- ✓ manage or customise the **remotes**
- ✓ read **technical manuals** or have a look at the **electrical connections**
- ✓ control the **inputs** and **output** of the control boards
- ✓ **control** the automation with the App

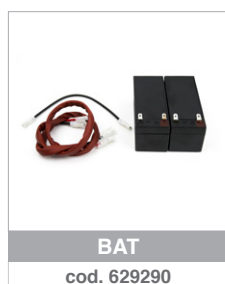
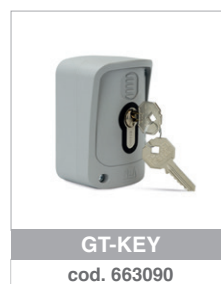
To be used with:



Art.NET-NODE 2.0  
Cod.677642



## Generic Accessories



## #safeasyoulike!

### Non-copyable remotes!

GTI remotes are multi-functional. They have three coding possibilities: DIP SWITCH, Rolling Code and D.A.R.T. the new DEA advanced coding.

You can customise the code of the remotes to guarantee your customer maximum security.

**D.** DEA  
**A.** Advanced  
**R.** Rolling Code  
**T.** Transmission

Looking for **total safety**?  
With **NET-BOX** each installer can customise the code of your GTI remotes.



## #colourasyoulike!

### Choose your favorite colour!

GTI remotes can be customised with button kits in seven colours: green, light green, blue, pink, yellow, orange and purple.



**Note:** button kits are supplied in packs of 5. The remote must be ordered separately.



# NETLINK

is our technology applied to DEA devices for the smart management of your installations, both **locally** and **remotely**.



## Our range

### Automations for sliding gates



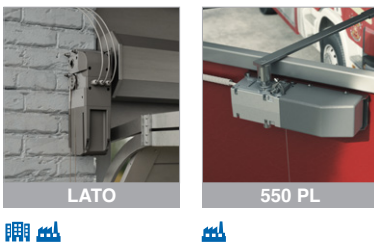
### Automations for sectional doors



### Automations for swing gates



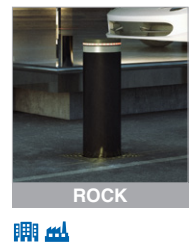
### Automations for industrial gates



### Barriers



### Bollards



**HEADQUARTER**  
**DEA SYSTEM S.p.A.**  
 Via della Tecnica, 6 - 36013 Piovone Rocchette (VI) - ITALY  
 ☎ + 39.0445.55.07.89 - 📠 + 39.0445.55.02.65  
 info@deasystem.com - www.deasystem.com

**Branches >** Italia, France, United Kingdom, Ireland, España, Portugal, Polska, Deutschland, Беларусь

**> HEAD OFFICE**  
**DEA System UK & IRE**  
 Sandholes Road - Cookstown - Co. Tyrone  
 BT80 9AR - IRELAND  
 ☎ + 44 (0)28 8676 6476 - 📠 + 44 (0)28 8676 2414  
 info@deasystem.net

**DEA System UK & IRE**  
 Unit 29-31 - The IO Centre - Hearle Way - Hatfield -  
 Hertfordshire AL10 9EW - UNITED KINGDOM  
 ☎ + 44 (0)1707 246 599  
 contact@deasystem.net